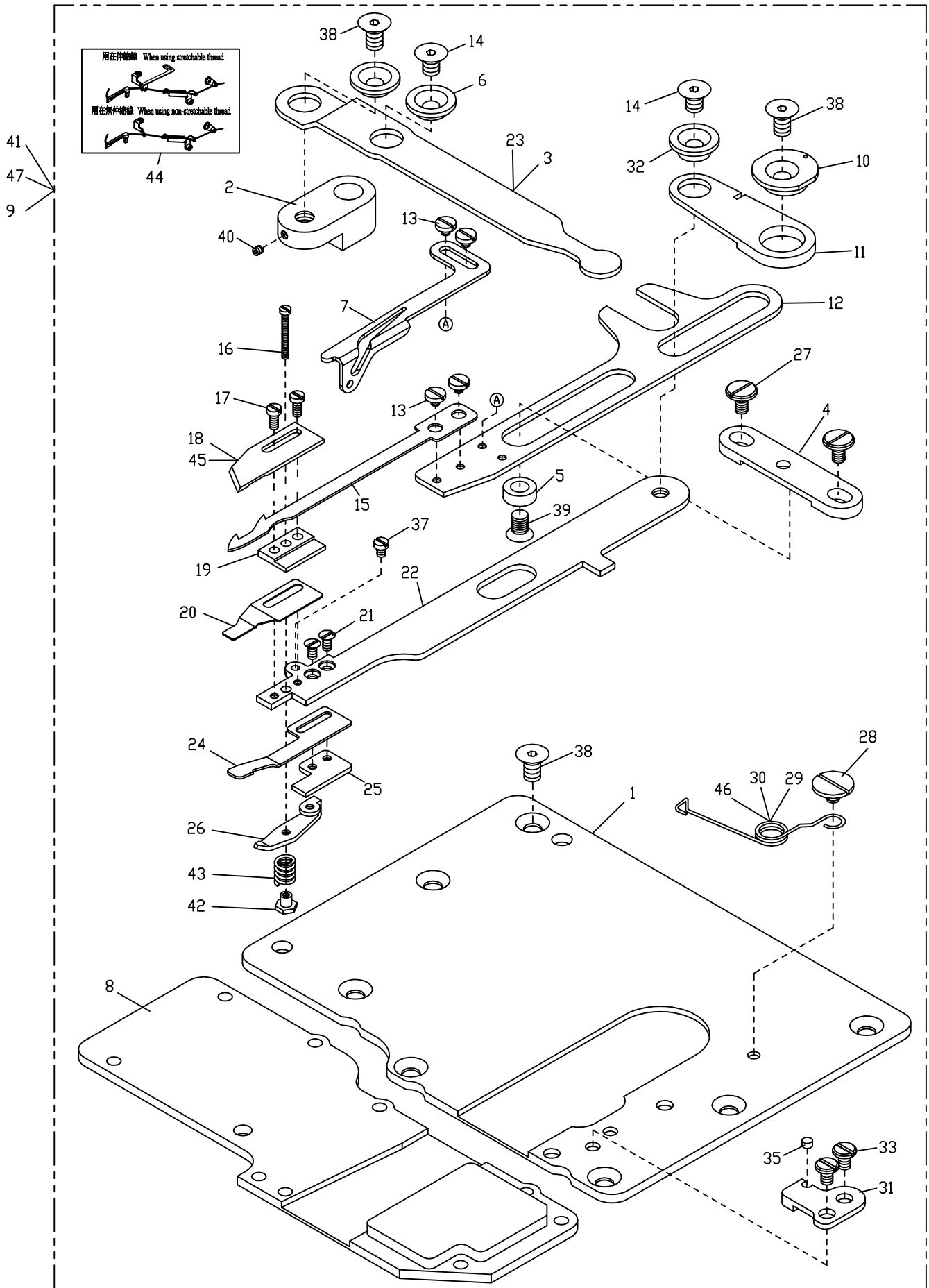


1. UTB06 / UTB06B / UTB07 / UTB07B / UTB07BF / UTB07F / UTC06 / UTC07  
 UTC07F / UTG10 / UTG11 / UTG11F 下切線機構 Under Trimmer Components



1. UTB06 / UTB06B / UTB07 / UTB07B / UTB07BF / UTB07F / UTC06 / UTC07  
 UTC07F / UTG10 / UTG11 / UTG11F 下切線機構 Under Trimmer Components

Ref.No.	物料編號 Parts No.	名稱 Description	單位用量 Amt.Req.
1	4UTB060101	下軸內蓋 Crank Chamber Cover -----	1
2	4UTB020102	連結塊 Connecting Block-----	1
*3	4UTB020103	驅動臂 Driving Lever-----	1
4	4UTB060104	固定座 Bracket Holder-----	1
5	4UTB020105	隔環 Spacer -----	1
6	4UTB020106	隔環 Spacer -----	2
7	4UTB0601073	導線 Thread Guide Eyelet -----	1
8	4UTB060108	封蓋 Rear Cover -----	1
**9	4UTC06A01091	下切線組 Under Trimmer Components -----	1
10	4UTB000110	調整隔環 Adjusting Ring -----	1
11	4UTB010111	擺動臂 Lever -----	1
12	4UTB010112	活動刀座 Lower Knife Carrier -----	1
13	8MB75180205A	螺絲 Screw (UTB0113 M2.5-0.45*2) -----	4
14	8MQ04280608A	螺絲 Screw (UTB0107 M4-0.7*6) -----	2
15	4UTB000115	活動刀片 Lower Movable Knife -----	1
16	8MB02161504E	螺絲 Screw (UTB020116 M2-0.4*14.8) -----	1
17	8MB02160505A	螺絲 Screw (UTB0117 M2-0.4*4) -----	2
18	4UTB000118	固定刀片 Lower Fixed Knife -----	1
19	4UTB000119	滑道 Lower Movable Knife Guide -----	1
20	4UTB000120	簧片 Clamp Spring -----	1
21	8ME02160404A	螺絲 Screw (CT12-15 M2-0.4*3) -----	2
22	4UTB060122	固定刀座 Lower Knife Holder -----	1
**23	4UTC020117	驅動臂 Driving Lever-----	1
24	4UTB000124	簧片 Knife Pressure Spring -----	1
25	4UTB000125	墊片 Clamp Spring Pressure Holder -----	1
26	4UTB010126	簧壓調整片 Clamp Spring Adjusting Piece -----	1
27	8MB04280508A	螺絲 Screw (UTB20127 M4-0.7*5.5) -----	2
28	8MB03200410G	螺樁 Stud (UTB02-01-28 M3-0.5*2.5) -----	1
*29	4UTB000129	彈簧 Spring -----	1
**30	4UTB010143	彈簧 Spring -----	1
31	4UTB060131	定位塊 Upper Knife Carrier Guide -----	1
32	4UTB000108	隔環 Spacer -----	1
33	8MB85240407A	螺絲 Screw (FT0538 M3.5-0.6*4) -----	2
34	-----	-----	-
35	4UTB000135	減震墊 Rubber Cushion -----	1
36	-----	-----	-
37	8MB02160304A	螺絲 Screw (UTB0137 M2-0.4*3) -----	1
38	8MQ04280808A	螺絲 Screw (UTB0109 M4-0.7*8) -----	9
39	8ME04280507A	螺絲 Screw (UTB020139 M4-0.7*4) -----	1
40	8MN03200300A	螺絲 Screw (CT0115 M3-0.5*3) -----	1
*41	4UTB06A01411	下切線組 Under Trimmer Components -----	1
42	4UTB020149	螺帽 Nut -----	1
43	4UTB020150	彈簧 Spring -----	1
44	66443-1	貼紙 Paster -----	1
◎45	4UTB020152	固定刀片 Lower Fixed Knife -----	1
◎46	4UTB020153	彈簧 Spring -----	1
◎47	4UTB06A01471	下切線組 Under Trimmer Components -----	1
48	-----	-----	-

\* 用於氣動式切線裝置 Pneumatic Type ( UTB06 / UTB06B / UTB07 / UTB07B / UTG10 / UTG11 / UTG11F)  
 \*\* 用於電動式切線裝置 Electric Type ( UTC06 / UTC07 / UTC07F )

UTB06 / UTC06 : 用於 CT9711 機型

UTB06B : 用於 CT9760 機型

UTB07 / UTC07 : 用於 CTD9711 / CXD2711 機型

UTB07B : 用於 CTD9760 / CXD2760 機型

UTB07BF : 用於 CTU9760 機型

UTB07F / UTC07F : 用於 CTU9711 機型

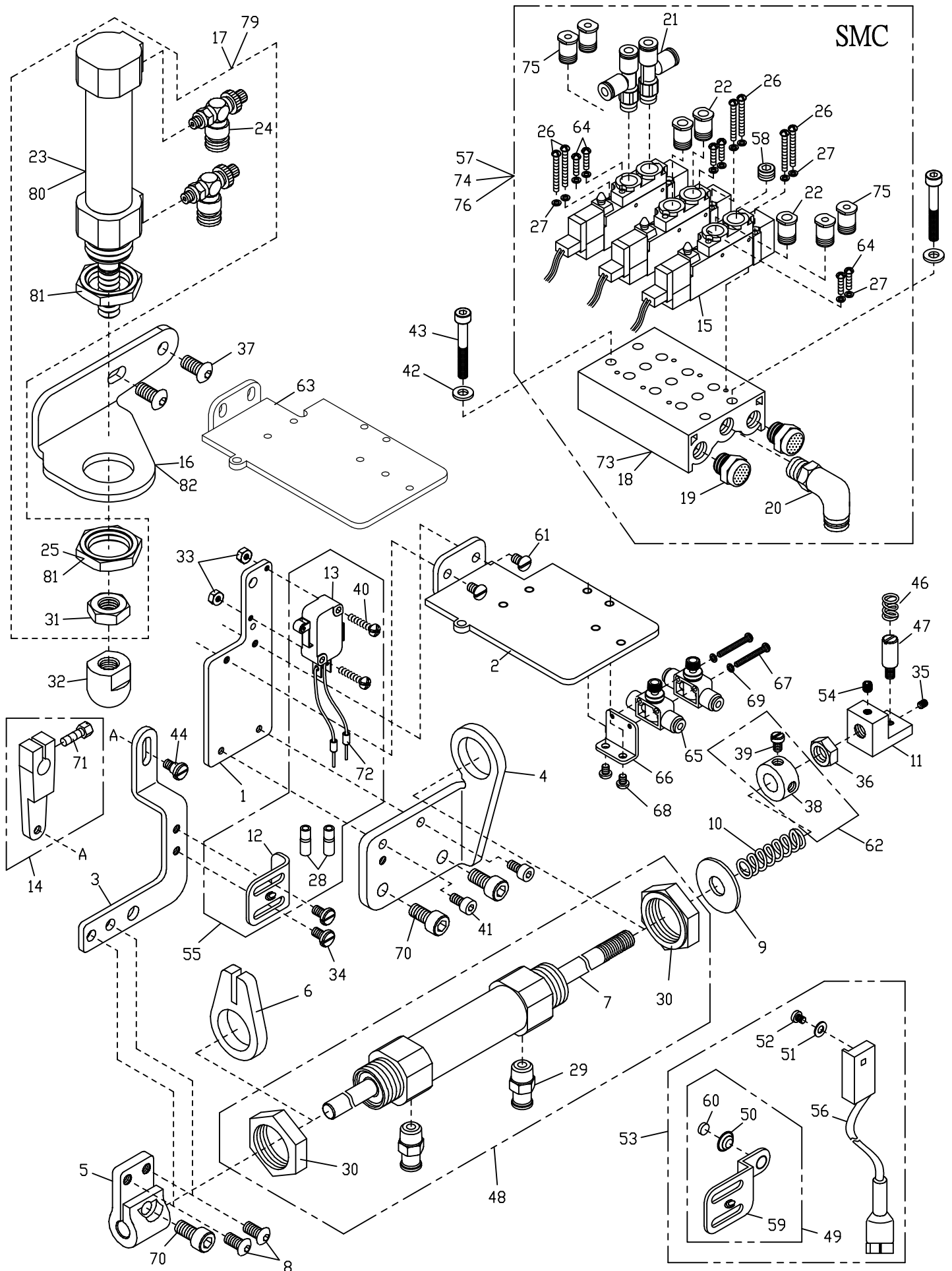
UTG10 : 用於 CT9811 機型

UTG11 : 用於 CTD9811 機型

UTG11F : 用於 CTU9811 機型

◎ 特購品 (用於氣動粗線切線裝置) Made to order item (Using on pneumatic type underbed thick thread trimmer)

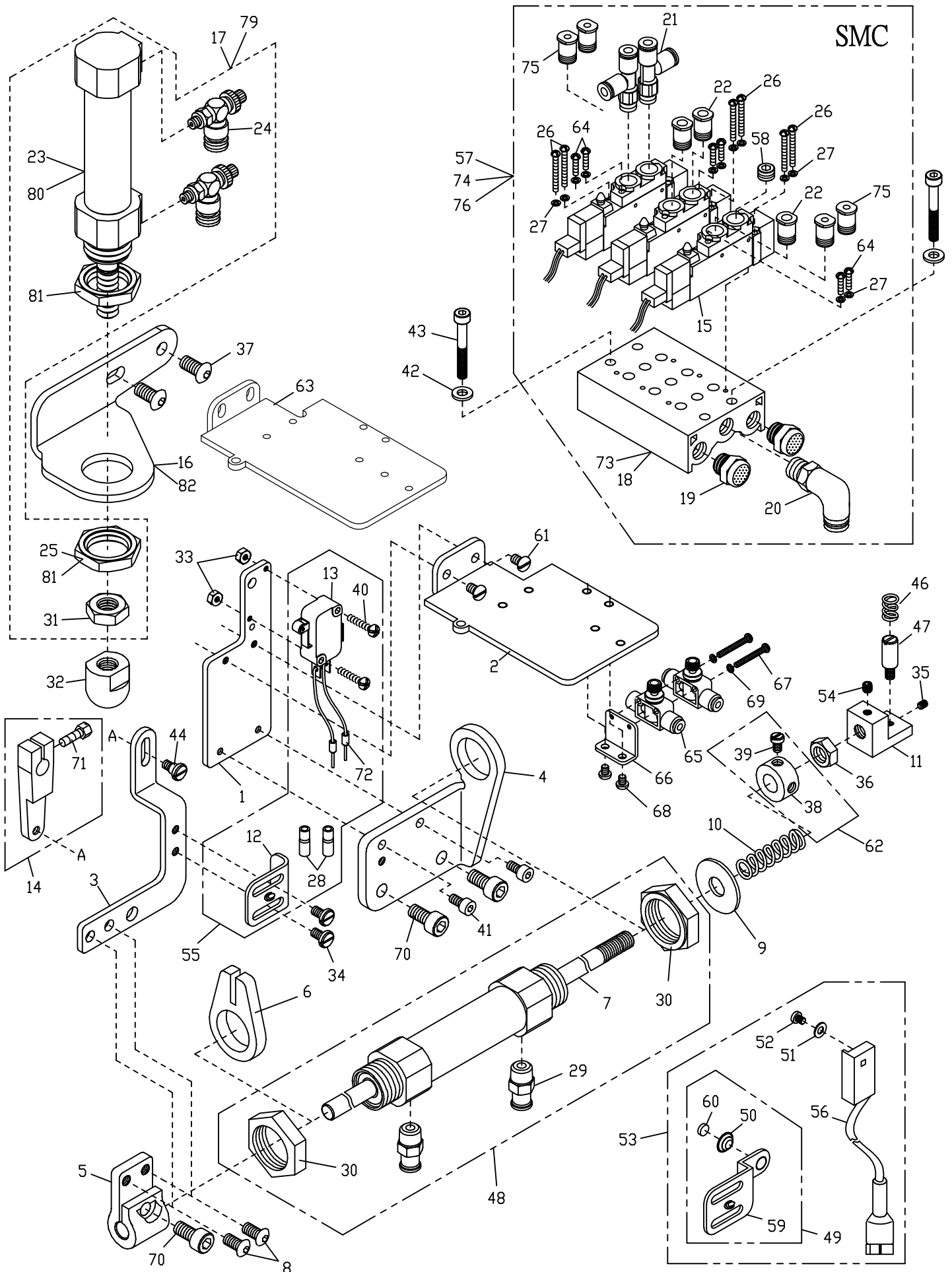
2. UTB03/UTB03F/UTB05/UTB07/UTB07B/UTB07F/UTB08/UTB08B/UTB09/UTB09B  
 UTB09F/UTB09BF/UTB10F/UTB10BF/UTG03/UTG03F/UTG08/UTG09/UTG09F/UTG11  
 UTG11F/UTH03/UTH03F/UTH08/UTH09/UTH09F 空壓組件 Compressed Air Components



2. UTB03/UTB03F/UTB05/UTB07/UTB07B/UTB07F/UTB08/UTB08B/UTB09  
 UTB09B/UTB09F/UTB09BF/UTB10F/UTB10BF/UTG03/UTG03F/UTG08  
 UTG09/UTG09F/UTG11/UTG11F/UTH03/UTH03F/UTH08/UTH09/UTH09F  
 空壓組件 Compressed Air Components

序號 Ref.No.	物料編號 Parts No.	名稱 Description	單位用量 Amt. Req.
1	4UTB0202011	安全開關座 Safety Switch Bracket -----	1
2	4UTG020102	基板 Base -----	1
3	4UTB020203	連桿 Connecting Plate -----	1
4	4UTB020204	氣缸座 Cyliner Bracket-----	1
5	4UTB020205	固定座 Bracket Holder-----	1
6	4UTB0202061	導軌 Yoke Guide -----	1
7	4UTB0202071	氣壓缸 Cylinder -----	1
8	8MP05320810A	螺絲 Screw (STB0117 M5-0.8*8) -----	2
9	2200001510	墊片 Washer -----	1
10	4UTB020210	彈簧 Spring -----	1
11	4UTB020211	承座 Plunger -----	1
12	4UTB020212	擋片 Stopper -----	1
13	4UTB000336	安全開關 Safety Switch -----	1
14	4UTB010337	曲柄 Tension Release lever -----	1
15	4UTB010315S	換向閥 Electromagnetic Valve -----	-
16	4UTB030216	固定座 Bracket Holder-----	1
17	4UTB03A0217	氣壓缸組 Cylinder Asm-----	1
18	4UTB010318S	換向閥座 Electromagnetic Valve Base -----	-
19	4UTG010319S	消音器 Silencer -----	2
20	4UTB020266S	空氣管接頭 Elbow Connector -----	1
21	4UTB010311S	空氣管接頭 Connector -----	2
22	4UTB010312S	空氣管接頭 Connector -----	-
23	4UTB030223	氣壓缸 Cylinder -----	1
24	4UTB000305	節流閥 Speed Controller -----	2
25	8MA22600627A	螺帽 Nut (UTB30225 M22-1.5*6) -----	1
26	4UTB010313S	螺絲 Screw -----	-
27	4UTB010314S	彈簧墊圈 Spring Washer -----	-
28	4UTB020228	絕緣套管 Bushing -----	2
29	4UTB020229	空氣管接頭 Elbow Connector -----	2
30	8MA20600627A	螺帽 Nut (UTB20230 M20-1.5*6) -----	2
31	8MA10600617A	螺帽 Nut -----	1
32	4PFE010113	套管 Clutch Sleeve -----	1
33	8MA03200306A	螺帽 Nut (FTB0111 M3-0.5*3) -----	2
34	8MB04280507K	螺絲 Screw (FT0235 M4-0.7*5) -----	2
35	8MN03200400A	螺絲 Screw (UH0125 M3-0.5*4) -----	1
36	8MA08500513A	螺帽 Nut (FTC10126 M8-1.25*5)-----	1
37	8MP06401211A	螺絲 Screw (UTB0302 M6-1*12) -----	2
38	4UTB010245	定位環 Collar -----	1
39	8MC95300606F	螺絲 Screw(CT0823 M4.5-0.75*5) -----	1
40	8MC03201606D	螺絲 Screw (UTB03351 M3-0.5*16) -----	2
41	8MM04280807A	螺絲 Screw (MT0124 M4-0.7*8) -----	2
42	90SW040	彈簧墊圈 Spring Washer -----	2
43	8MM04283007B	螺絲 Screw (UTB01-03-16 M4-0.7*30) -----	2
44	8MB04280908G	螺樁 Stud (UTB0339 M4-0.7*4) -----	1
◎45	4UTJ02A0165	換向閥組 Electromagnetic Valve Asm-----	-
46	2200000816	彈簧 Spring -----	1
47	8MB04280607M	螺樁 Stud (UTC2-01-34 M4-0.7*5.5) -----	1
48	4UTB02A02011	氣壓缸組 Cylinder Asm. -----	1
49	4UTB02A0249	支架組 Knife Holder Bracket Asm -----	1
50	4UTB020250	銅扣 Brass Button -----	1
51	2200001025	墊圈 Washer -----	1
52	8SB44400608K	螺絲 Screw (SH0128 11/64-40*6)-----	1
*53	4UTB02A0253	磁控支架組 Magnetic Type Safety Switch SET. -----	1
54	8MN04280400A	螺絲 Screw (CT0229 M4-0.7*4) -----	1
55	4UTB02A0255	觸控支架組 One Touch Type Safety Switch SET. -----	1
56	4UTB020256	安全開關 Safety Switch -----	1
57	4UTB01A03491S	換向閥組 Electromagnetic Valve Asm-----	-
58	4UTB010377S	螺帽 Nut -----	-
59	4UTB020259	支架 Knife Holder Bracket -----	1
60	4UTB000444	磁鐵 Magnet -----	1

2. UTB03/UTB03F/UTB05/UTB07/UTB07B/UTB07F/UTB08/UTB08B/UTB09/UTB09B  
 UTB09F/UTB09BF/UTB10F/UTB10BF/UTG03/UTG03F/UTG08/UTG09/UTG09F/UTG11  
 UTG11F/UTH03/UTH03F/UTH08/UTH09/UTH09F 空壓組件 Compressed Air Components



2. UTB03/UTB03F/UTB05/UTB07/UTB07B/UTB07F/UTB08/UTB08B/UTB09  
 UTB09B/UTB09F/UTB09BF/UTB10F/UTB10BF/UTG03/UTG03F/UTG08  
 UTG09/UTG09F/UTG11/UTG11F/UTH03/UTH03F/UTH08/UTH09/UTH09F  
 空壓組件 Compressed Air Components

序號 Ref.No.	物料編號 Parts No.	名稱 Description	單位用量 Amt. Req.
61	8MB04280607K	螺絲 Screw (MT0233 M4-0.7*6) -----	2
62	4UTB01A0255	定位環組 Collar Asm-----	1
◎63	4UTJ020102	基板 Base -----	1
64	4UTB010362S	螺絲 Screw-----	-
65	4WPC000114	節流閥 Speed Controller -----	2
66	4UTB020262	支架 Cylinder Holder Bracket -----	1
67	8MC03202506D	螺絲 Screw (UTB03-02-67 M3-0.5*25) -----	2
68	8MB04280507A	螺絲 Screw (UH0917 M4-0.7*4.5) -----	2
69	90SW030	彈簧墊圈 Spring Washer -----	2
70	8MM06401210A	螺絲 Screw (FT1103 M6-1*12) -----	3
71	8MK95301407A	螺絲 Screw (CT0837 M4.5-0.75*14) -----	1
72	4UTB020272	公端子 Power cord -----	2
73	4UTG0103181S	換向閥座 Electromagnetic Valve Base -----	-
74	4UTG01A03491S	換向閥組 Electromagnetic Valve Asm-----	-
75	4UTH020121S	空氣管接頭 Elbow Connector -----	-
◎76	4UTH02A0157S	換向閥組 Electromagnetic Valve Asm-----	-
77	-----	-----	-
78	-----	-----	-
**79	4UTB02FA0217	氣壓缸組 Cylinder Asm-----	1
**80	4UTB02F0223	氣壓缸 Cylinder -----	1
**81	8MA22600630A	螺帽 Nut ( M22-1.5*6 ) -----	2
**82	4UTB02F0216	固定座 Bracket Holder-----	1

\* 選購 To pick and make purchase

\*\* 用於 UTB03F/UTB07F/UTB09F/UTB09BF/UTB10F/UTB10BF/UTG03F/UTG09F/UTH03F/UTH09F/UTG11F

◎ 特註品 Custome-made Item

機型 Model UTB03/UTB03F/UTB05/UTB07/UTB07B/UTB07F/UTB08/UTB08B/UTB09/UTB09B  
 UTB09F/UTB09BF/UTB10F/UTB10BF ( 2顆換向閥 Electromagnetic Valve 2 pcs.)

序號 Ref.No.	15	18	22	26	27	57	64
用量 Req.	2	1	2	4	8	1	4

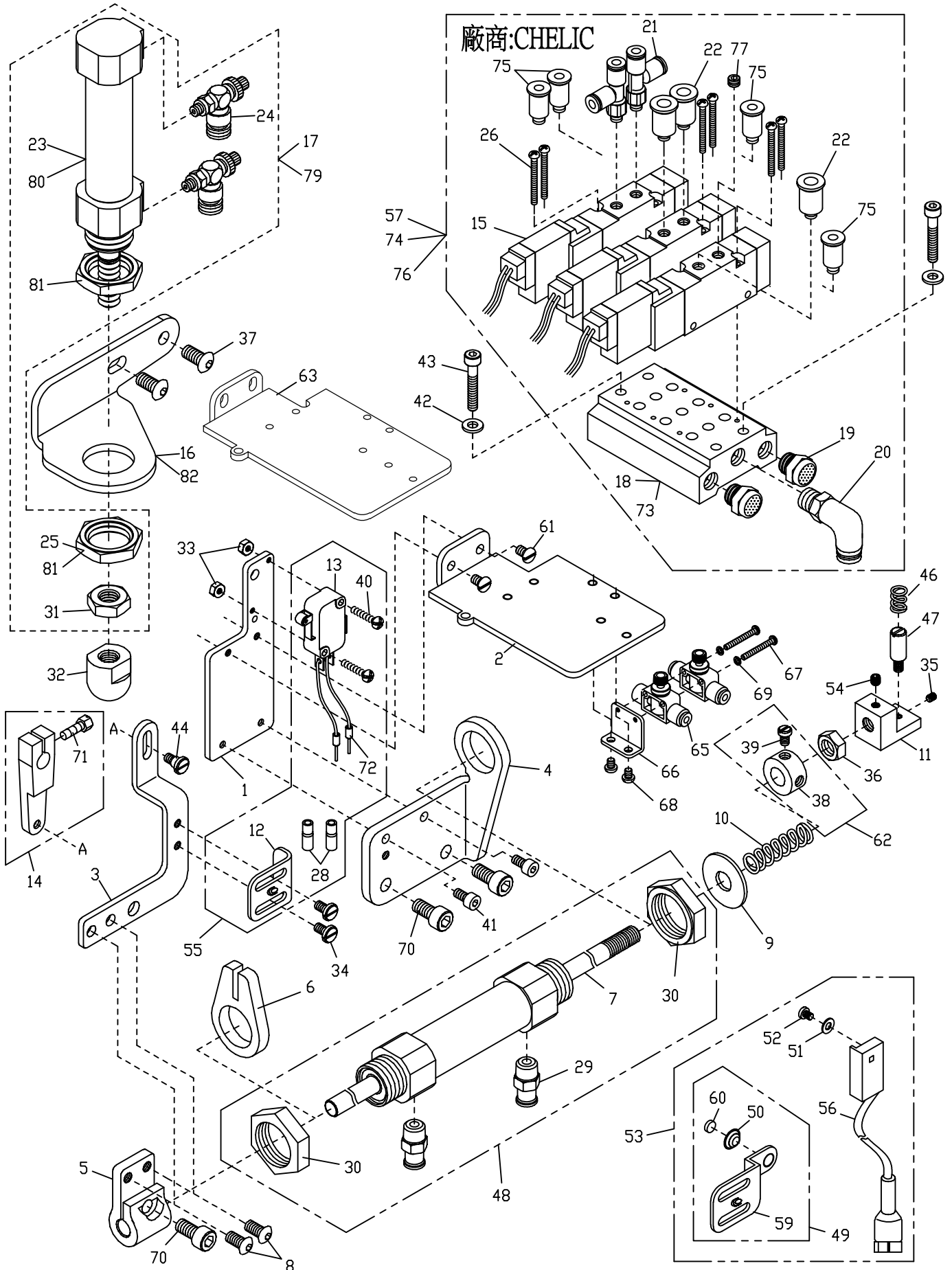
機型 Model UTG03 / UTG03F / UTG08 / UTG09 / UTG09F / UTG11 / UTG11F  
 ( 3顆換向閥 Electromagnetic Valve 3 pcs.)

序號 Ref.No.	15	22	26	27	58	64	73	74
用量 Req.	3	3	6	12	1	6	1	1

機型 Model UTH03 / UTH03F / UTH08 / UTH09 / UTH09F ( 3顆換向閥 Electromagnetic Valve 3 pcs.)

序號 Ref.No.	15	22	26	27	64	73	75	76
用量 Req.	3	2	6	12	6	1	4	1

3. UTB03C/UTB03FC/UTB05C/UTB07C/UTB07BC/UTB07FC/UTB08C/UTB08BC  
 UTB09C/UTB09BC/UTB09FC/UTB09BFC/UTB10FC/UTB10BFC/UTG03C/UTG03FC  
 UTG08C/UTG09C/UTG09FC/UTG11C/UTG11FC/UTH03C/UTH03FC/UTH08C/UTH09C  
 UTH09FC 空壓組件 Compressed Air Components

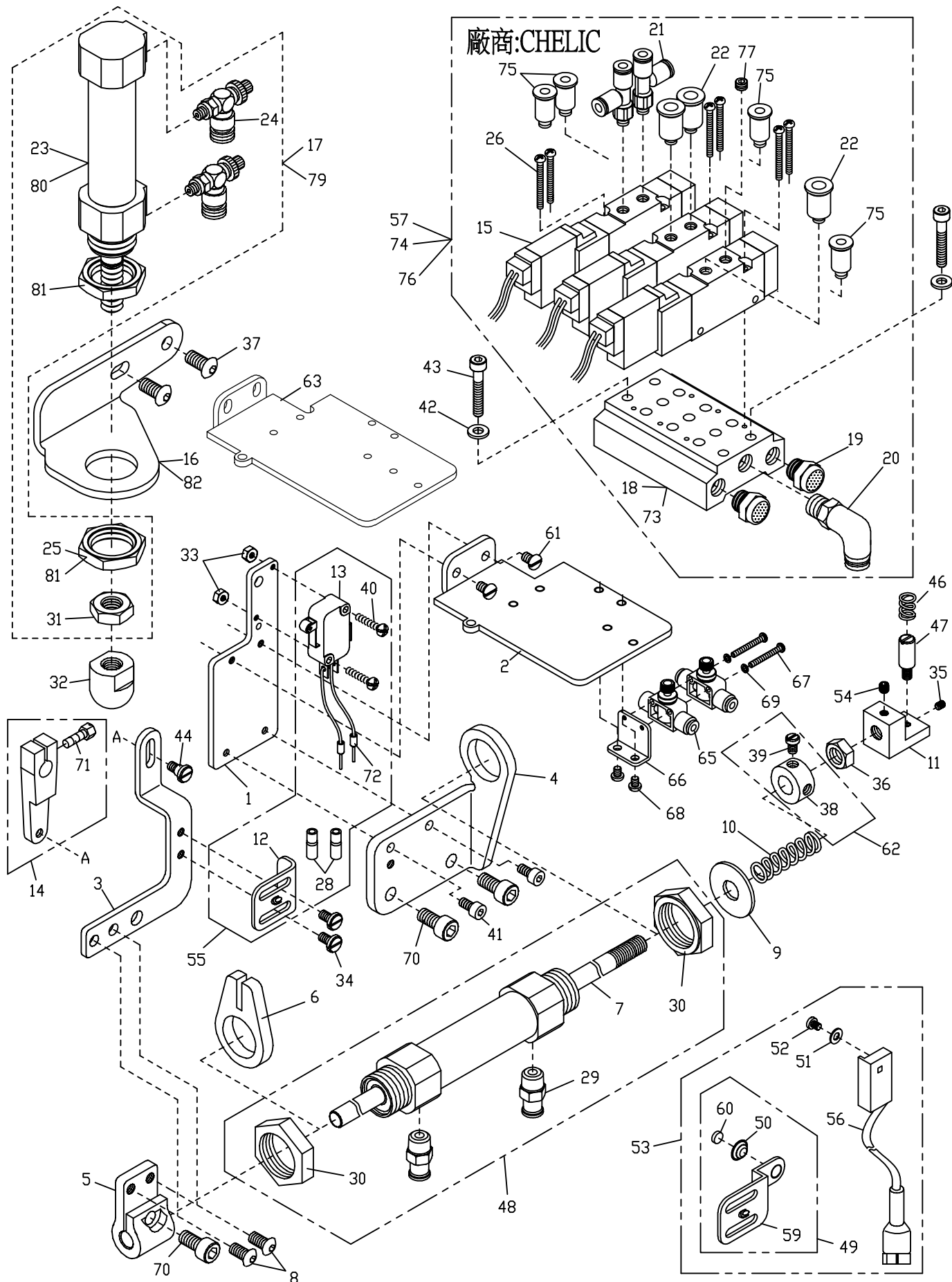


3. UTB03C/UTB03FC/UTB05C/UTB07C/UTB07BC/UTB07FC/UTB08C/UTB08BC  
 UTB09C/UTB09BC/UTB09FC/UTB09BFC/UTB10FC/UTB10BFC/UTG03C  
 UTG03FC/UTG08C/UTG09C/UTG09FC/UTG11C/UTG11FC /UTH03C/UTH03FC  
 UTH08C/UTH09C/UTH09FC 空壓組件 Compressed Air Components

序號 Ref.No.	物料編號 Parts No.	名稱 Description	單位用量 Amt. Req.
1	4UTB0202011	安全開關座 Safety Switch Bracket -----	1
2	4UTG020102	基板 Base -----	1
3	4UTB020203	連桿 Connecting Plate -----	1
4	4UTB020204	氣缸座 Cyliner Bracket-----	1
5	4UTB020205	固定座 Bracket Holder-----	1
6	4UTB0202061	導軌 Yoke Guide -----	1
7	4UTB0202071	氣壓缸 Cylinder -----	1
8	8MP05320810A	螺絲 Screw (STB0117 M5-0.8*8) -----	2
9	2200001510	墊片 Washer -----	1
10	4UTB020210	彈簧 Spring -----	1
11	4UTB020211	承座 Plunger -----	1
12	4UTB020212	擋片 Stopper -----	1
13	4UTB000336	安全開關 Safety Switch -----	1
14	4UTB010337	曲柄 Tension Release lever -----	1
15	4UTB0103151	換向閥 Electromagnetic Valve -----	-
16	4UTB030216	固定座 Bracket Holder-----	1
17	4UTB03A0217	氣壓缸組 Cylinder Asm-----	1
18	4UTB0103181	換向閥座 Electromagnetic Valve Base -----	1
19	4UTG010319	消音器 Silencer -----	2
20	4UTB0202661	空氣管接頭 Elbow Connector -----	1
21	4UTB0103111	空氣管接頭 Connector -----	2
22	4UTB0103121	空氣管接頭 Connector -----	-
23	4UTB030223	氣壓缸 Cylinder -----	1
24	4UTB000305	節流閥 Speed Controller -----	2
25	8MA22600627A	螺帽 Nut (UTB30225 M22-1.5*6) -----	1
26	4UTB0103131	螺絲 Screw-----	-
27	-----	-----	-
28	4UTB020228	絕緣套管 Bushing -----	2
29	4UTB020229	空氣管接頭 Elbow Connector -----	2
30	8MA20600627A	螺帽 Nut (UTB20230 M20-1.5*6) -----	2
31	8MA10600617A	螺帽 Nut -----	1
32	4PFE010113	套管 Clutch Sleeve -----	1
33	8MA03200306A	螺帽 Nut (FTB0111 M3-0.5*3) -----	2
34	8MB04280507K	螺絲 Screw (FT0235 M4-0.7*5) -----	2
35	8MN03200400A	螺絲 Screw (UH0125 M3-0.5*4) -----	1
36	8MA08500513A	螺帽 Nut (FTC10126 M8-1.25*5)-----	1
37	8MP06401211A	螺絲 Screw (UTB0302 M6-1*12)-----	2
38	4UTB010245	定位環 Collar -----	1
39	8MC95300606F	螺絲 Screw(CT0823 M4.5-0.75*5) -----	1
40	8MC03201606D	螺絲 Screw (UTB03351 M3-0.5*16) -----	2
41	8MM04280807A	螺絲 Screw (MT0124 M4-0.7*8) -----	2
42	90SW040	彈簧墊圈 Spring Washer -----	2
43	8MM04282507B	螺絲 Screw (FT0719 M4-0.7*25) -----	2
44	8MB04280908G	螺樁 Stud (UTB0339 M4-0.7*4) -----	1
45	-----	-----	-
46	2200000816	彈簧 Spring -----	1
47	8MB04280607M	螺樁 Stud (UTC2-01-34 M4-0.7*5.5) -----	1
48	4UTB02A02011	氣壓缸組 Cylinder Asm. -----	1
49	4UTB02A0249	支架組 Knife Holder Bracket Asm -----	1
50	4UTB020250	銅扣 Brass Button -----	1
51	2200001025	墊圈 Washer -----	1
52	8SB44400608K	螺絲 Screw (SH0128 11/64-40*6)-----	1
*53	4UTB02A0253	磁控支架組 Magnetic Type Safety Switch SET. -----	1
54	8MN04280400A	螺絲 Screw (CT0229 M4-0.7*4) -----	1
55	4UTB02A0255	觸控支架組 One Touch Type Safety Switch SET. -----	1
56	4UTB020256	安全開關 Safety Switch -----	1
57	4UTB01A03492	換向閥組 Electromagnetic Valve Asm-----	1
58	-----	-----	-
59	4UTB020259	支架 Knife Holder Bracket -----	1
60	4UTB000444	磁鐵 Magnet -----	1



3. UTB03C/UTB03FC/UTB05C/UTB07C/UTB07BC/UTB07FC/UTB08C/UTB08BC  
 UTB09C/UTB09BC/UTB09FC/UTB09BFC/UTB10FC/UTB10BFC/UTG03C/UTG03FC  
 UTG08C/UTG09C/UTG09FC/UTG11C/UTG11FC/UTH03C/UTH03FC/UTH08C/UTH09C  
 UTH09FC 空壓組件 Compressed Air Components



3. UTB03C/UTB03FC/UTB05C/UTB07C/UTB07BC/UTB07FC/UTB08C/UTB08BC  
 UTB09C/UTB09BC/UTB09FC/UTB09BFC/UTB10FC/UTB10BFC/UTG03C  
 UTG03FC/UTG08C/UTG09C/UTG09FC/UTG11C/UTG11FC /UTH03C/UTH03FC  
 UTH08C/UTH09C/UTH09FC 空壓組件 Compressed Air Components

序號 Ref.No.	物料編號 Parts No.	名稱 Description	單位用量 Amt. Req.
61	8MB04280607K	螺絲 Screw (MT0233 M4-0.7*6) -----	2
62	4UTB01A0255	定位環組 Collar Asm-----	1
◎63	4UTJ020102	基板 Base -----	1
64	-----	-----	-
65	4WPC000114	節流閥 Speed Controller -----	2
66	4UTB020262	支架 Cylinder Holder Bracket -----	1
67	8MC03202506D	螺絲 Screw (UTB03-02-67 M3-0.5*25) -----	2
68	8MB04280507A	螺絲 Screw (UH0917 M4-0.7*4.5) -----	2
69	90SW030	彈簧墊圈 Spring Washer -----	2
70	8MM06401210A	螺絲 Screw (FT1103 M6-1*12) -----	3
71	8MK95301407A	螺絲 Screw (CT0837 M4.5-0.75*14) -----	1
72	4UTB020272	公端子 Power cord -----	2
73	4UTG0103182	換向閥座 Electromagnetic Valve Base -----	1
74	4UTG01A03492	換向閥組 Electromagnetic Valve Asm-----	1
75	4UTH0201211	空氣管接頭 Connector -----	-
76	4UTH02A01571	換向閥組 Electromagnetic Valve Asm-----	-
77	4UTG0103551	螺帽 Nut -----	1
78	-----	-----	-
**79	4UTB02FA0217	氣壓缸組 Cylinder Asm-----	1
**80	4UTB02F0223	氣壓缸 Cylinder -----	1
**81	8MA22600630A	螺帽 Nut ( M22-1.5*6 ) -----	2
**82	4UTB02F0216	固定座 Bracket Holder-----	1

◎ 特註品 Custome-made Item

\* 選購 To pick and make purchase

\*\* 用於 UTB03FC / UTB07FC / UTB09FC / UTB09BFC / UTB10FC / UTB10BFC / UTG03FC / UTG09FC / UTG11FC

機型 Model UTB03C/UTB03FC/UTB05C/UTB07C/UTB07BC/UTB07FC/UTB08C/UTB08BC  
 UTB09C/UTB09BC/UTB09FC/UTB09BFC/UTB10FC/UTB10BFC  
 ( 2顆換向閥 Electromagnetic Valve 2 pcs.)

序號 Ref.No.	15	18	21	22	26	57
用量 Req.	2	1	2	2	4	1

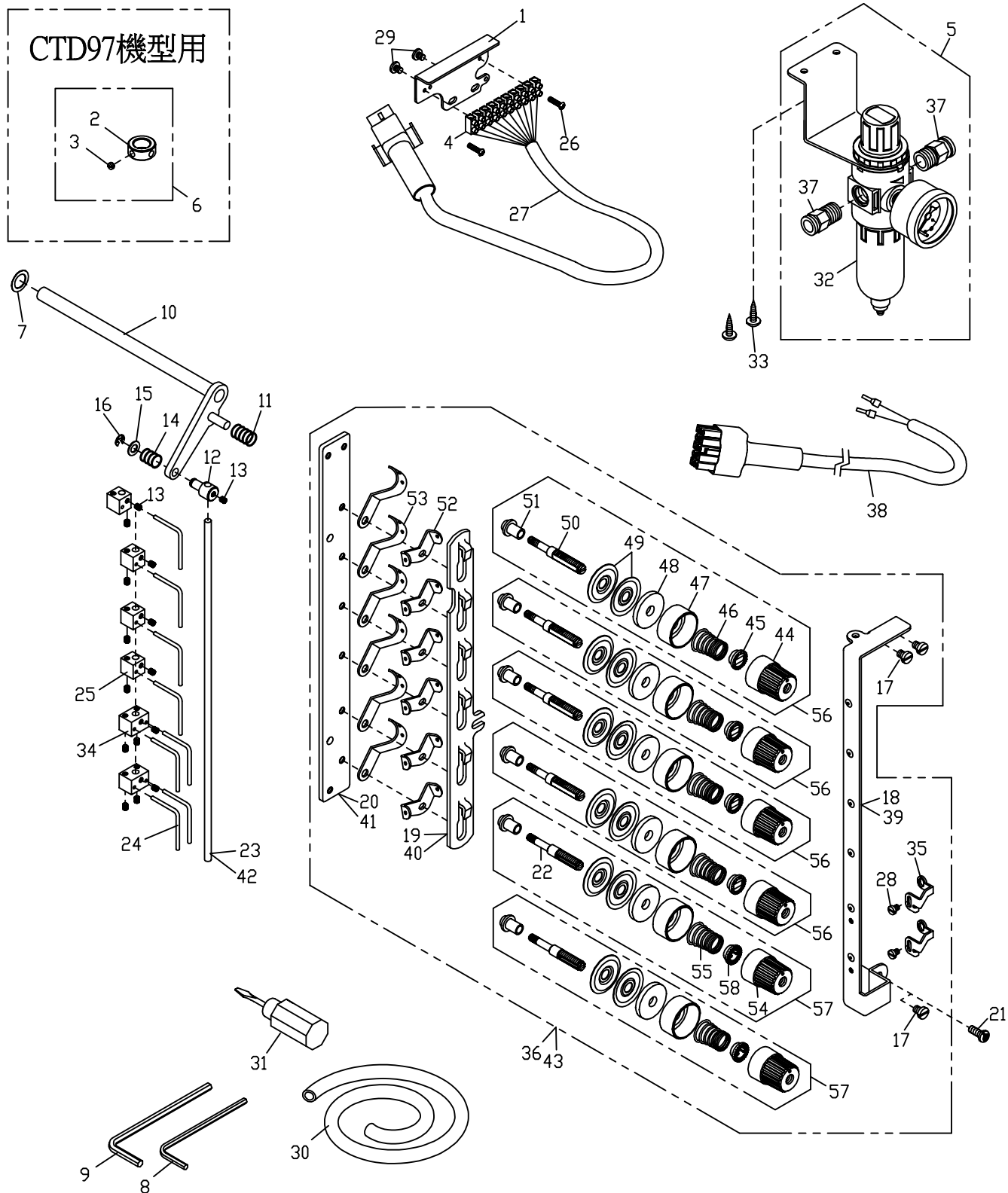
機型 Model UTG03C / UTG03FC / UTG08C / UTG09C / UTG09FC / UTG11C / UTG11FC  
 ( 3顆換向閥 Electromagnetic Valve 3 pcs.)

序號 Ref.No.	15	21	22	26	73	74	77
用量 Req.	3	2	3	6	1	1	1

機型 Model UTH03C / UTH03FC / UTH08C / UTH09C / UTH09FC  
 ( 3顆換向閥 Electromagnetic Valve 3 pcs.)

序號 Ref.No.	15	22	26	73	75	76
用量 Req.	3	2	6	1	4	1

4. UTB07 / UTB07B / UTB07BF / UTB07F / UTB10F / UTB10BF / UTG11 / UTG11F  
 UTB07C / UTB07BC / UTB07FC / UTB10FC / UTB10BFC / UTG11C / UTG11FC  
 鬆線機構及更換零件 Thread Tension Components And Motor Components



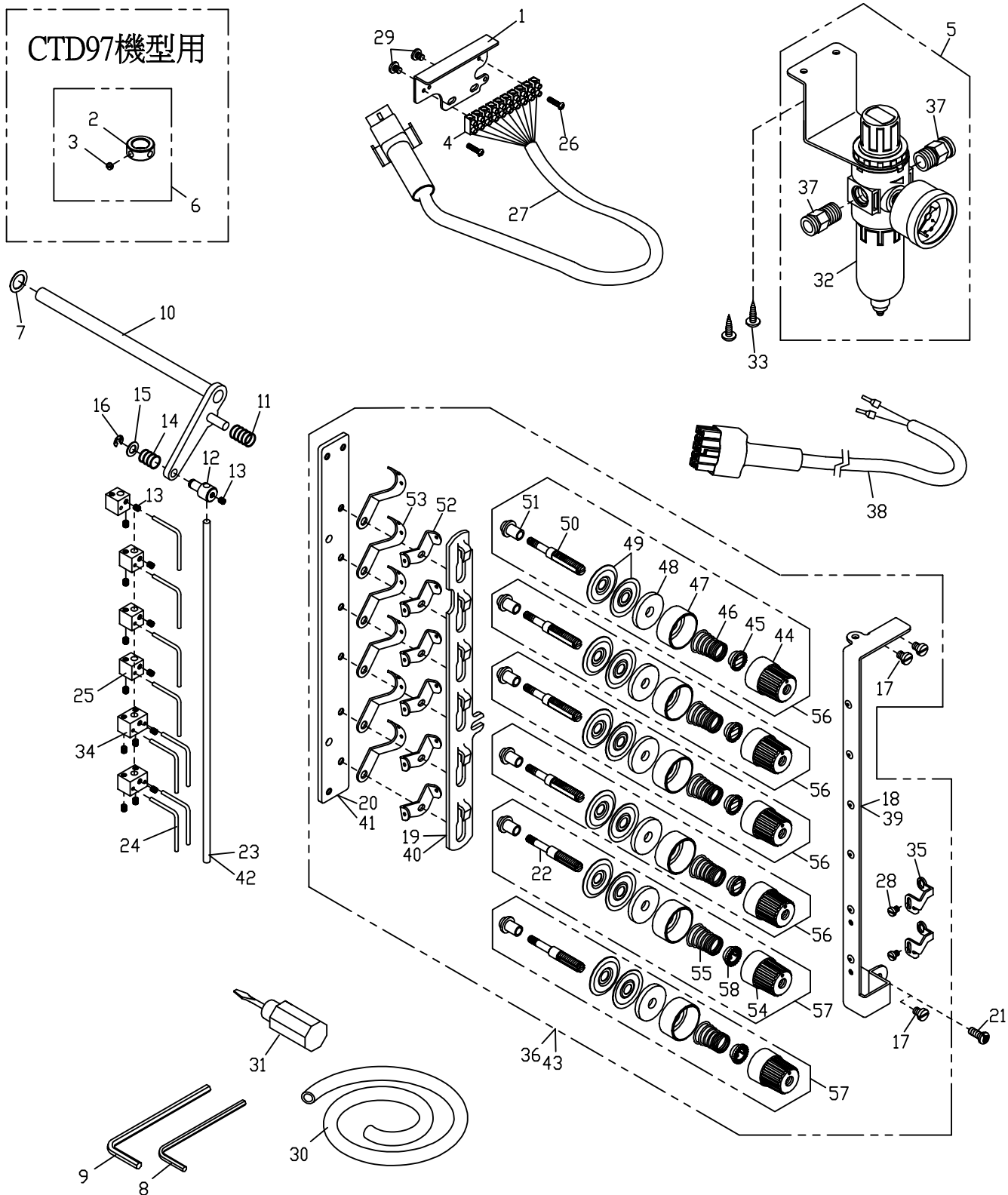
	4UTB02A0349		4UTB04A0349
序號 Ref.No.	17	21	17
單位用量 Amt. Req.	2 PCS	1 PCS	3 PCS

4. UTB07 / UTB07B / UTB07BF / UTB07F / UTB10F / UTB10BF / UTG11 / UTG11F / UTB  
 UTB07BC / UTB07BFC / UTB07FC / UTB10FC / UTB10BFC / UTG11C / UTG11FC

鬆線機構及更換零件 Thread Tension Components And Motor Components

序號 Ref. No.	物料編號 Parts No.	名稱 Description	單位用量 Amt. Req.
1	4UTB060301	端子座固定架 Terminal Holder Support -----	1
2	2200000812	限動環 Stop Collar -----	1
3	8MH85240300A	螺絲 Screw (CT0813 M3.5-0.6*3) -----	2
4	4UTB000457	控制線接頭 Connector-----	1
5	4UTB00A04582	調壓濾水閥組 Regulator Asm.-----	1
6	220A0000839	定位環組 Collar Asm.-----	1
7	4UTB010459	墊片 Clamp Spring Pressure Holder -----	1
8	66635	六角板手 Allen Key 2MM -----	1
9	66640	六角板手 Allen Key 2.5MM -----	1
10	4UTB000410	曲柄 Tension Release Shaft -----	1
11	4UTB000411	彈簧 Spring -----	1
12	4UTB000412	接頭 Pin -----	1
13	8MN03200300A	螺絲 Screw (CT0115 M3-0.5*3) (see the table) -----	-
14	4UTB000414	彈簧 Spring -----	1
15	2200001025	墊圈 Washer -----	1
16	90ER030	E形扣環 E Ring -----	1
17	8MB04280507K	螺絲 Screw (FT0235 M4-0.7*5) -----	-
18	4UTB000418	導線 Thread Guide Eyelet -----	1
19	4UTB0004191	鬆線滑板 Release Wedge -----	1
20	4UTB000420	導線座 Tension Post Support -----	1
21	8MC04281007D	螺絲 Screw (CT0113 M4-0.7*10) -----	-
22	22000003611	螺樁 Stud -----	-
23	4UTB000423	導桿 Guide Bar -----	1
24	4UTB000424	鬆線桿 Release Bar (see the table) -----	-
25	4UTB000425	鬆線座 Thread Pull-off Block (see the table) -----	-
26	8MC03201006D	螺絲 Screw (UTB0426 M3-0.5*10) -----	2
27	4UTB000427	換向閥用控制線 Terminal Holder -----	1
28	8MB03200306X	螺絲 Screw (UTB0436 M3-0.5*3) -----	2
29	8MB04280608A	螺絲 Screw (UTB0130 M4-0.7*6) -----	2
30	4UTB010430	空氣管 Air Tube -----	1
31	66668	平口起子 Screwdriver -----	1
32	4UTB0004321	調壓濾水閥 Regulator -----	1
33	8WD30000015B	木螺絲 Wood Screw -----	2
34	4UTB000434	鬆線座 Thread Pull-off Block (see the table) -----	-
35	4UTB000435	導線 Thread Guide Eyelet -----	2
36	4UTB02A03491	鬆線組 Theard Tension Mechanism -----	1
37	4UTB010456	8mm空氣管接頭 Connector -----	2
38	4UTG010462	控制線接頭 Connector-----	1
39	4UTB040318	導線 Thread Guide Eyelet -----	1
40	4UTB0403191	鬆線滑板 Release Wedge -----	1
41	4UTB040320	導線座 Tension Post Support -----	1
42	4UTB040323	導桿 Guide Bar -----	1
43	4UTB04A03491	鬆線組 Theard Tension Mechanism -----	1
44	2100001121	張力調整螺帽 Tension Nut ( Red ) ( SH1121) (see the table) -----	-
45	2200000303	套管 Bushing (see the table) -----	-
46	2100001123	彈簧 Spring ( Red ) ( SH1123) (see the table) -----	-
47	2200000305	彈簧座 Spring Seat (see the table) -----	-
48	2100001127	羊毛氈 Felt (see the table) -----	-
49	2100001126	張力控制盤 Tension Disc (see the table) -----	-
50	22000003081	螺樁 Stud (see the table) -----	-
51	22000003091	隔環 Spacer (see the table) -----	-
52	2200000311	導線 Thread Guide (see the table) -----	-
53	2200000312	導線 Thread Guide (see the table) -----	-
54	2100001121A	張力調整螺帽 Tension Nut ( Yellow ) ( SH1121) (see the table) -----	-
55	2100041131	彈簧 Spring ( Yellow ) ( SH1131) (see the table) -----	-
56	231A00001922	張力控制組 Tension Asm. (Red) (see the table) -----	-
57	220A0000315	張力控制組 Tension Asm. (Yellow) (see the table) -----	-
58	2100001122	止滑齒輪 Bush -----	-

4. UTB07 / UTB07B / UTB07BF / UTB07F / UTB10F / UTB10BF / UTG11 / UTG11F  
 UTB07C / UTB07BC / UTB07FC / UTB10FC / UTB10BFC / UTG11C / UTG11FC  
 鬆線機構及更換零件 Thread Tension Components And Motor Components



	4UTB02A0349		4UTB04A0349
序號 Ref.No.	17	21	17
單位用量 Amt. Req.	2 PCS	1 PCS	3 PCS

4. UTB07/UTB07B/UTB07BF/UTB07F/UTB10F/UTB10BF/UTG11/UTG11F  
 UTB07C/UTB07BC/UTB07BFC/UTB07FC/UTB10FC/UTB10BFC/UTG11C  
 UTG11FC 鬆線機構及更換零件  
 Thread Tension Components And Motor Components

機型 Model UTB07 / UTB07F / UTB10F ; UTB07C / UTB07FC / UTB10FC

針數 Number of needle \ 序號 Ref. No.	13	24	25	34	18	19	20	22	23	36	44	45	46
2 Needle without Spreader	8pcs.	4pcs.	2pcs.	1pcs.	1	1	1	2	1	1	3	3	3
3 Needle without Spreader	10pcs.	5pcs.	3pcs.	1pcs.									
2 Needle with Spreader	11pcs.	6pcs.	2pcs.	2pcs.									
3 Needle with Spreader	13pcs.	7pcs.	3pcs.	2pcs.									

針數 Number of needle \ 序號 Ref. No.	47	48	49	50	51	52	53	54	55	56	57	58
2 Needle without Spreader	5	5	10	3	5	5	5	2	2	3	2	2
3 Needle without Spreader												
2 Needle with Spreader												
3 Needle with Spreader												

機型 Model UTG11 / UTG11F ; UTG11C / UTG11FC

針數 Number of needle \ 序號 Ref. No.	13	24	25	34	18	19	20	22	23	36	38	44	45
2 Needle without Spreader	8pcs.	4pcs.	2pcs.	1pcs.	1	1	1	2	1	1	1	3	3
3 Needle without Spreader	10pcs.	5pcs.	3pcs.	1pcs.									
2 Needle with Spreader	11pcs.	6pcs.	2pcs.	2pcs.									
3 Needle with Spreader	13pcs.	7pcs.	3pcs.	2pcs.									

針數 Number of needle \ 序號 Ref. No.	46	47	48	49	50	51	52	53	54	55	56	57	58
2 Needle without Spreader	3	5	5	10	3	5	5	5	2	2	3	2	2
3 Needle without Spreader													
2 Needle with Spreader													
3 Needle with Spreader													

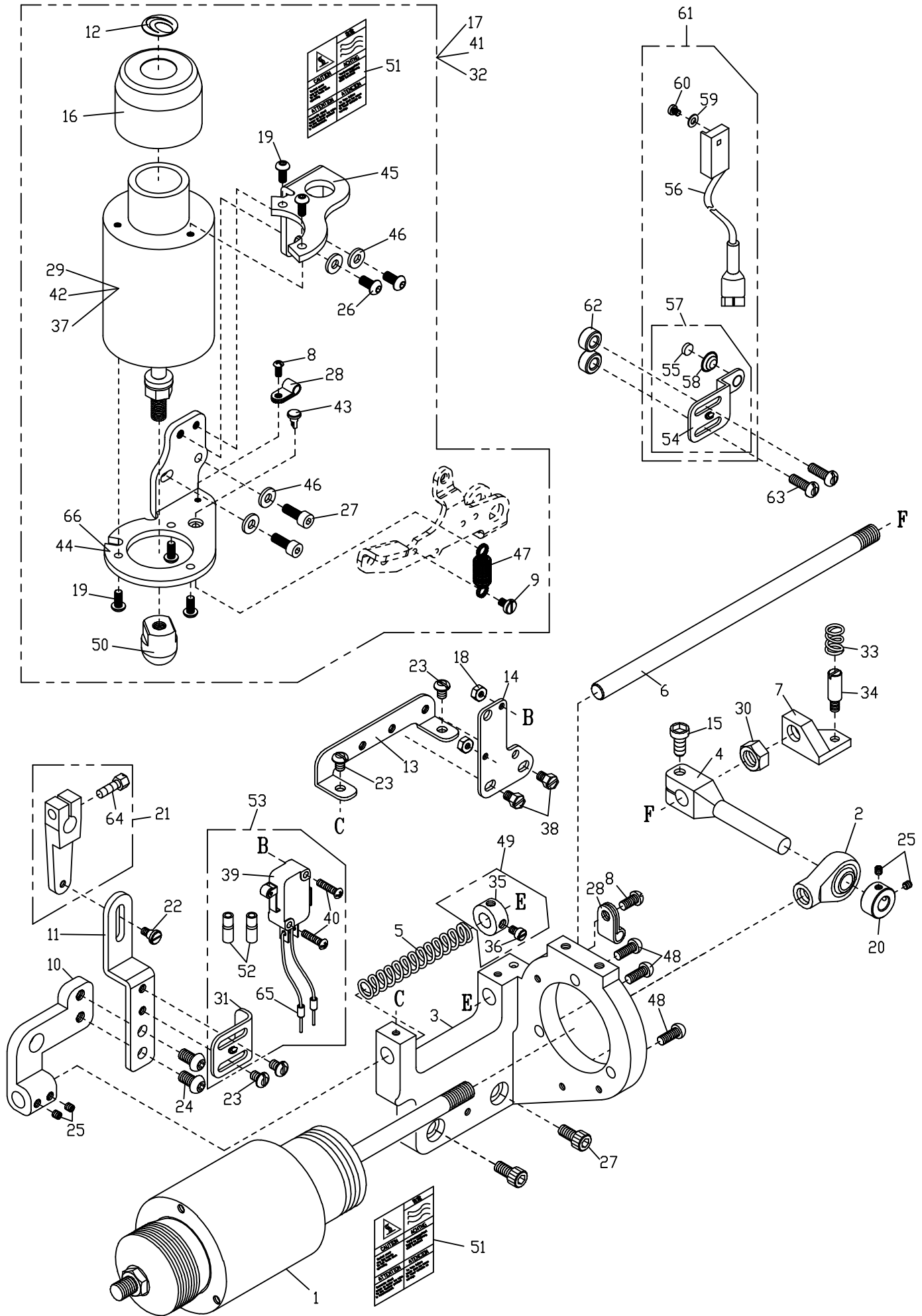
機型 Model UTB07B / UTB07BF / UTB10BF ; UTB07BC / UTB07BFC / UTB10BFC (4針6線 4 Needle 6 Thread)

針數 Number of needle \ 序號 Ref. No.	13	24	25	34	22	39	40	41	42	43	44	45	46
4 Needle without Spreader	12pcs.	6pcs.	4pcs.	1pcs.	2	1	1	1	1	1	4	4	4
4 Needle with Spreader	15pcs.	8pcs.	4pcs.	2pcs.									

針數 Number of needle \ 序號 Ref. No.	47	48	49	50	51	52	53	54	55	56	57	58
4 Needle without Spreader	6	6	12	4	6	6	6	2	2	4	2	2
4 Needle with Spreader												

# 5. UTC03/UTC03F/UTC07/UTC07F/UTC08/UTC09/UTC09F/UTC10F

## 電控式組件 Electric Type Components



5. UTC03 / UTC03F / UTC07 / UTC07F / UTC08 / UTC09 / UTC09F / UTC10F

電控式組件 Electric Type Components

序號 Ref.No.	物料編號 Parts No.	名稱 Description	單位用量 Amt.Req.
1	4UTC040201	磁力線圈 Solenoid -----	1
2	4UTC040202	球軸連桿 Plunger Connecting Rod -----	1
3	4UTC0201031	承座 Plunger -----	1
4	4UTC040204	連桿 Connecting Plate -----	1
5	4UTC0201093	彈簧 Spring -----	1
6	4UTC040206	軸 Shaft -----	1
7	4UTC040207	承座 Plunger -----	1
8	8MC04280807D	螺絲 Screw (CT0130 M4-0.7*8) -----	2
9	8MB05320710G	螺絲 Screw (PFE020116 M5-0.8*7) -----	1
10	4UTC0201101	承座 Plunger -----	1
11	4UTC0201111	連桿 Connecting Plate -----	1
12	66480-11	銘板 Plate -----	1
13	4UTC0201131	基板 Base -----	1
14	4UTC0201141	安全開關座 Saftey Switch Bracket -----	1
15	8MM05321409A	螺絲 Screw (CT0632 M5-0.8*14) -----	1
16	4PFE010119	護蓋 Cover -----	1
***17	PFE2F	壓腳提昇組 Presser Foot Lifter,C.Set -----	1
18	8MA03200306A	螺帽 Nut (FTB0111 M3-0.5*3) -----	2
19	8MP05321210A	螺絲 Screw (UTB0340 M5-0.8*11.5) -----	5
20	4UTB010152	定位環 Collar -----	1
21	4UTC020121	曲柄 Tension Release Lever -----	1
22	8MB04280908G	螺樁 Stud (UTB0339 M4-0.7*4) -----	1
23	8MB04280507K	螺絲 Screw (FT0235 M4-0.7*5) -----	4
24	8MP05320810A	螺絲 Screw (STB0117 M5-0.8*8) -----	2
25	8MN04280400A	螺絲 Screw (CT0229 M4-0.7*4) -----	4
26	8MP06401211A	螺絲 Screw (UTB0302 M6-1*12) -----	2
27	8MM06401610A	螺絲 Screw (CT0625 M6-1*16) -----	4
28	4UTD000254	線夾 Cord Clamp -----	2
***29	4PFE2F0118	磁力線圈 Presser Foot Lifter Solenoid -----	1
30	8MA08500613A	螺帽 Nut (RP0208 M8-1.25*6) -----	1
31	4UTB020212	擋片 Stopper -----	1
**32	PFE2P	壓腳提昇組 Presser Foot Lifter,C.Set -----	1
33	2200000816	彈簧 Spring -----	1
34	8MB04280607M	螺樁 Stud (UTC2-01-34 M4-0.7*5.5) -----	1
35	4UTB010245	定位環 Collar -----	1
36	8MC95300606F	螺絲 Screw (CT0823 M4.5-0.75*5) -----	1
**37	4PFE1P0121	磁力線圈 Presser Foot Lifter Solenoid -----	1
38	8MK04280507A	螺絲 Screw (WPC0106 M4-1.7*5) -----	2
39	4UTB000336	安全開關 Saftey Switch -----	1
40	8MC03201606D	螺絲 Screw (UTB03351 M3-0.5*16) -----	2
41	PFE02	壓腳提昇組 Presser Foot Lifter,C.Set -----	1
42	4PFE010101	磁力線圈 Presser Foot Lifter Solenoid -----	1
43	4PFE020102	接頭 Joint -----	1
44	4PFE020103	固定座 Bracket -----	1
45	4PFE020104	固定座 Bracket -----	1
46	2100000323	墊圈 Washer (SH0323) -----	4
47	4PFE010106	彈簧 Spring -----	1
48	8MP05321610A	螺絲 Screw (UTC02-04-74 M5-0.8*16) -----	3
49	4UTB01A0255	定位環組 Collar Asm-----	1
50	4PFE010113	套管 Clutch Sleeve -----	1
51	4UTC000139	貼紙 Paster -----	2
52	4UTB020228	絕緣套管 Bushing -----	2
53	4UTB02A0255	觸控支架組 One Touch Type Safety Switch SET. -----	1
*54	4UTB020259	支架 Knife Holder Bracket -----	1
*55	4UTB000444	磁鐵 Magnet -----	1
*56	4UTB020256	安全開關 Safety Switch -----	1
*57	4UTB02A0249	支架組 Knife Holder Bracket Asm.-----	1
*58	4UTB020250	銅扣 Brass Button -----	1
*59	2200001025	墊圈 Washer -----	1
*60	8SB44400507A	螺絲 Screw -----	1
*61	4UTB02A0253	磁控支架組 Magnetic Type Safety Switch SET. -----	1
*62	2200001141	隔環 Spacer -----	2
*63	8MB04281207K	螺絲 Screw (CT0239 M4-0.7*12) -----	2
64	8MK95301407A	螺絲 Screw (CT0837 M4.5-0.75*14) -----	1
65	4UTB020272	公端子 Power cord -----	2
***66	4PFE2F0119	固定座 Bracket -----	1

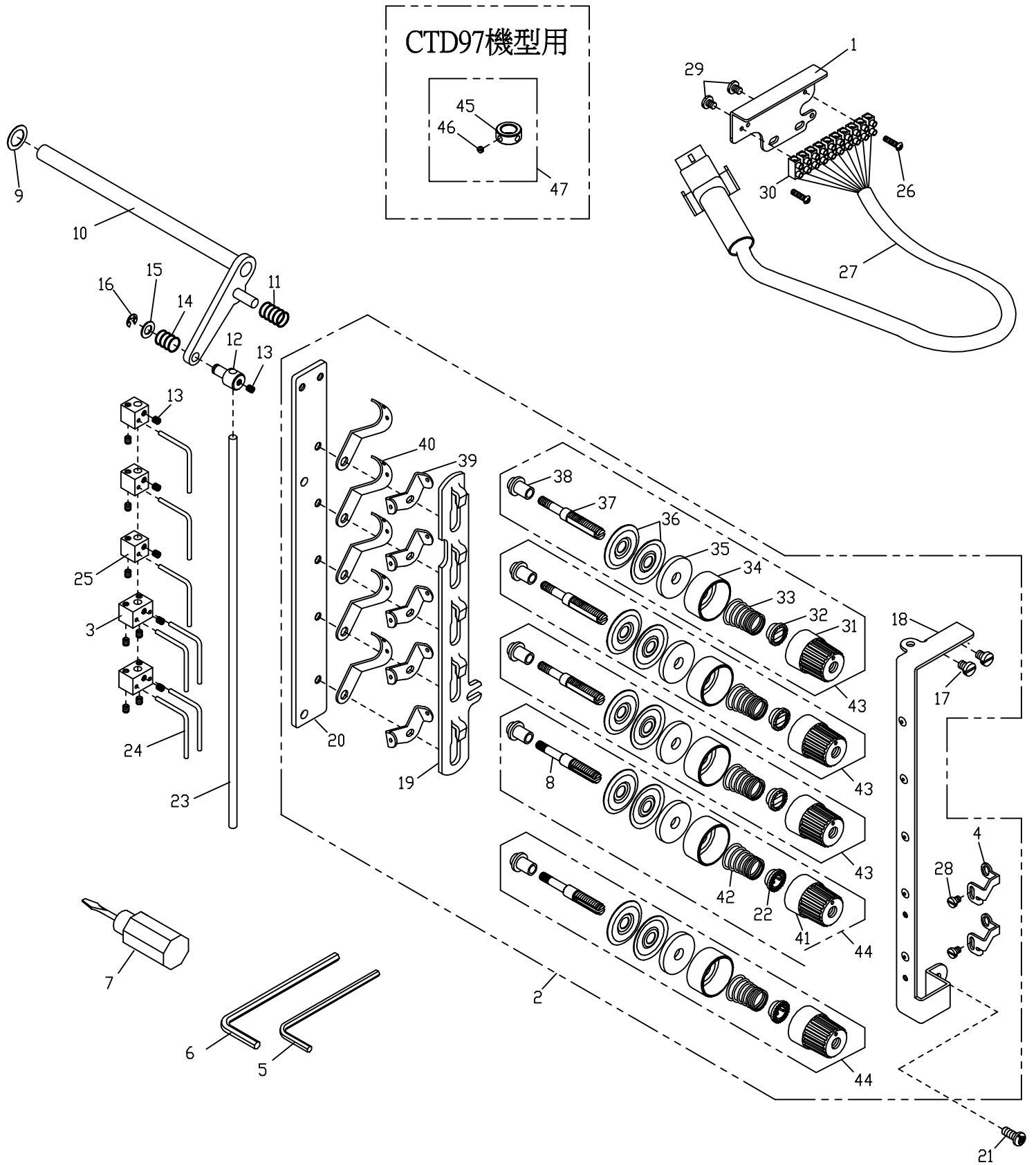
\* 磁控支架組用 For Magnetic Type Safety Switch SET

\*\* 配合RP 使用

\*\*\* UTC03F / UTC07F / UTC09F / UTC10F 用



# 6. UTC07 / UTC07F / UTC10F 鬆線機構及更換零件 Thread Tension Components And Motor Components



## 6. UTC07 / UTC07F / UTC10F 鬆線機構及更換零件

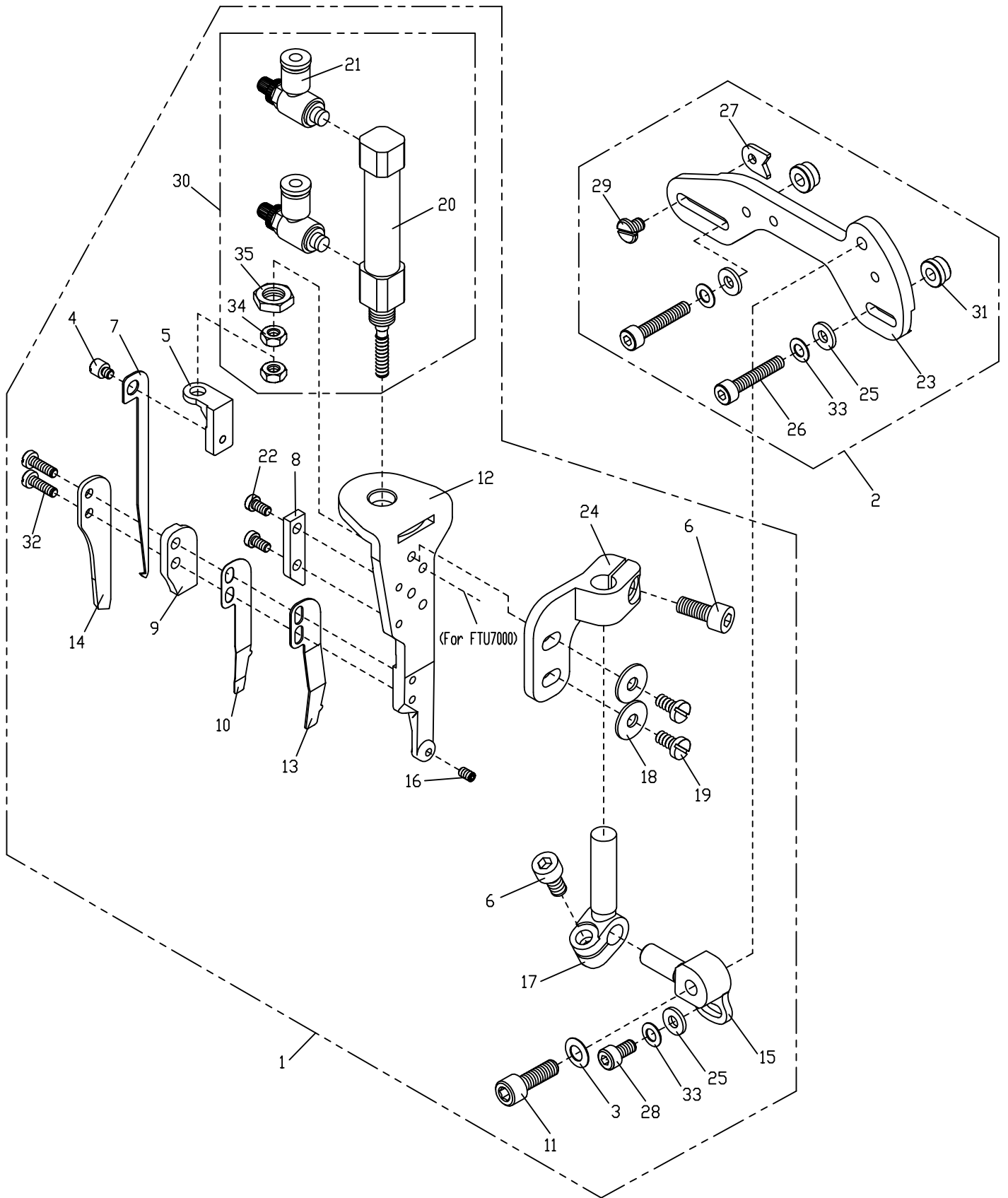
### Thread Tension Components And Motor Components

序號 Ref. No.	物料編號 Parts No.	名稱 Description	單位用量 Amt. Req.
1	4UTB060301	端子座固定架 Terminal Holder Support -----	1
2	4UTB02A03491	鬆線組 Theard Tension Mechanism -----	1
3	4UTB000434	鬆線座 Thread Pull-off Block (see the table) -----	-
4	4UTB000435	導線 Thread Guide Eyelet -----	2
5	66635	六角板手 Allen Key 2MM -----	1
6	66640	六角板手 Allen Key 2.5MM -----	1
7	66668	平口起子 Screwdriver -----	1
8	22000003611	螺樁 Stud -----	2
9	4UTB010459	墊片 Clamp Spring Pressure Holder -----	1
10	4UTB000410	曲柄 Tension Release Shaft -----	1
11	4UTB000411	彈簧 Spring -----	1
12	4UTB000412	接頭 Pin -----	1
13	8MN03200300A	螺絲 Screw (CT0115 M3-0.5*3) (see the table) -----	-
14	4UTB000414	彈簧 Spring -----	1
15	2200001025	墊圈 Washer -----	1
16	90ER030	E形扣環 E Ring -----	1
17	8MB04280507K	螺絲 Screw (FT0235 M4-0.7*5) -----	2
18	4UTB000418	導線 Thread Guide Eyelet -----	1
19	4UTB0004191	鬆線滑板 Release Wedge -----	1
20	4UTB000420	導線座 Tension Post Support -----	1
21	8MM04281007A	螺絲 Screw(FT0203 M4-0.7*10) -----	2
22	2100001122	止滑齒輪 Bush -----	2
23	4UTB000423	導桿 Guide Bar -----	1
24	4UTB000424	鬆線桿 Release Bar -----	-
25	4UTB000425	鬆線座 Thread Pull-off Block (see the table) -----	-
26	8MC03201006D	螺絲 Screw (UTB0426 M3-0.5*10) (see the table) -----	2
27	4UTB000427	換向閥用控制線 Terminal Holder -----	1
28	8MB03200306X	螺絲 Screw (UTB0436 M3-0.5*3) -----	2
29	8MB04280608A	螺絲 Screw (UTB0130 M4-0.7*6) -----	2
30	4UTB000457	控制線接頭 Connector-----	1
31	2100001121	張力調整螺帽 Tension Nut ( Red ) ( SH1121)-----	3
32	2200000303	套管 Bushing -----	3
33	2100001123	彈簧 Spring ( Red ) ( SH1123)-----	3
34	2200000305	彈簧座 Spring Seat -----	5
35	2100001127	羊毛氈 Felt -----	5
36	2100001126	張力控制盤 Tension Disc -----	10
37	22000003081	螺樁 Stud -----	3
38	22000003091	隔環 Spacer -----	5
39	2200000311	導線 Thread Guide -----	5
40	2200000312	導線 Thread Guide -----	5
41	2100001121A	張力調整螺帽 Tension Nut ( Yellow ) ( SH1121)-----	2
42	2100041131	彈簧 Spring ( Yellow ) ( SH1131)-----	2
43	231A0001922	張力控制組 Tension Asm. (Red) -----	3
44	220A0000315	張力控制組 Tension Asm. (Yellow) -----	2
45	2200000812	限動環 Stop Collar -----	1
46	8MH85240300A	螺絲 Screw (CT0813 M3.5-0.6*3) -----	2
47	220A0000839	定位環組 Collar Asm.-----	1

Ref. No.	3	13	24	25
2 Needle without Spreader	1pcs.	8pcs.	4pcs.	2pcs.
3 Needle without Spreader	1pcs.	10pcs.	5pcs.	3pcs.
2 Needle with Spreader	2pcs.	11pcs.	6pcs.	2pcs.
3 Needle with Spreader	2pcs.	13pcs.	7pcs.	3pcs.



# 7. STB04 上切線機構 Spreader Thread Trimmer Components For STB04

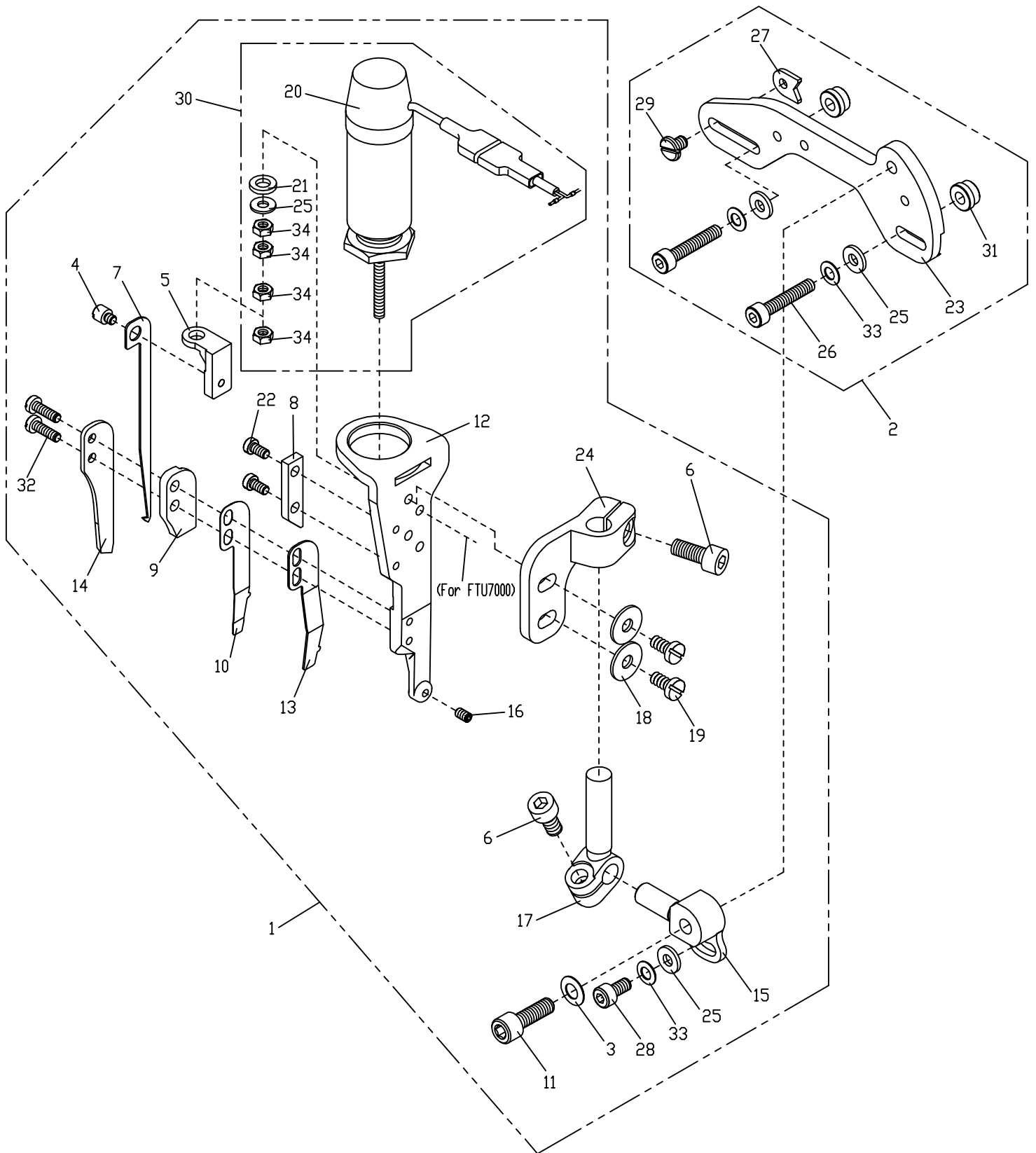


## 7. STB04 上切線機構 Sprearer Thread Trimmer Components For STB04

序號 Ref.No.	物料編號 Parts No.	名稱 Description	單位用量 Amt.Req.
1	4STB04A0101	上切線組 Sprearer Thread Trimmer Components -----	1
2	4STB04A0102	支架組 Bracket Holder Asm. -----	1
3	2200000228	碟形墊圈 Disk Washer -----	1
4	8MB03200305X	螺椿 Stud (STB40104 M3-0.5*3)-----	1
5	4STB040105	活動刀座 Upper Movable Knife Base -----	1
6	8MM05321209A	螺絲 Screw (FT0524 M5-0.8*12)-----	2
7	4STB040107	活動刀 Upper Movable Knife -----	1
8	4STB040108	滑道 Slide Block -----	1
9	4STB040109	滑道 Knife Guide -----	1
10	4STB040110	簧片 Thread Clamp Spring-----	1
11	8MM05321609A	螺絲 Screw (RP10111 M5-0.8*16)-----	1
12	4STB040112	氣缸座 Cylinder Holder -----	1
13	4STB040113	簧片 Knife Pressure Spring -----	1
14	4STB040114	固定刀片 Fixed Knife -----	1
15	4STB040115	曲軸 Lever -----	1
16	8MN03200500A	螺絲 Screw (RP10331 M3-0.5*5)-----	1
17	4STB040117	曲軸 Lever -----	1
18	2200000908	墊圈 Washer -----	2
19	8MC04280807A	螺絲 Screw (CT0120 M4-0.7*8)-----	2
20	4STB000120	氣壓缸 Cylinder-----	1
21	4STB000121	節流閥 Speed Controller -----	2
22	8MB03200606K	螺絲 Screw (CT1207 M3-0.5*6)-----	2
23	4STB040123	支架 Bracket Holder -----	1
24	4STB040124	支架 Bracket Holder -----	1
25	2100000223	墊圈 Washer -----	3
26	8MM04282207A	螺絲 Screw (MN210110 M4-0.7*22)-----	2
27	4STB020127	定位塊 Knock Block -----	1
28	8MM04280807A	螺絲 Screw (MT0124 M4-0.7*8) -----	1
29	8MB04280508A	螺絲 Screw (UTB20127 M4-0.7*5.5)-----	1
30	4STB00A0127	氣壓缸組 Cylinder Asm.-----	1
31	4STB040131	隔環 Spacer -----	2
32	8MB03201006A	螺絲 Screw (CT1204 M3-0.5*10) -----	2
33	90DW040	碟形墊圈 Disk Washer -----	3
34	8MA04280307A	螺帽 Nut (CT0238 M4-0.7*3)-----	2
35	8MA08400311A	螺帽 Nut (UTA0318)-----	1

STB04 : 用於 CTU9011 / CTU9711 / CXU2000 / FTU7000 機型

# 8. STC04 上切線機構 Spreader Thread Trimmer Components For STC04

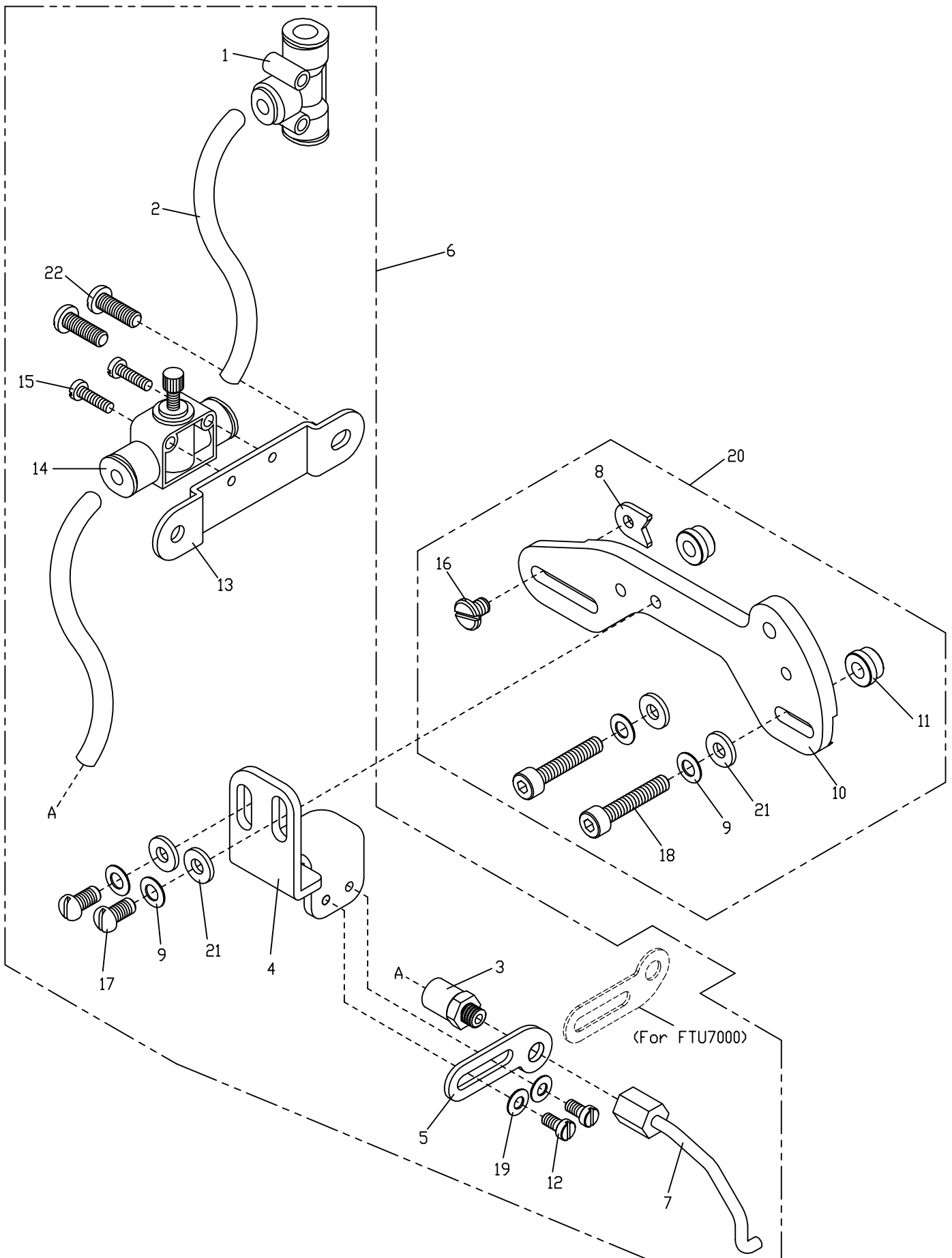


## 8. STC04 上切線機構 Sprearer Thread Trimmer Components For STC04

序號 Ref.No.	物料編號 Parts No.	名稱 Description	單位用量 Amt.Req.
1	4STC04A0101	上切線組 Sprearer Thread Trimmer Components -----	1
2	4STB04A0102	支架組 Bracket Holder Asm. -----	1
3	2200000228	碟形墊圈 Disk Washer -----	1
4	8MB03200305X	螺椿 Stud (STB40104 M3-0.5*3)-----	1
5	4STB040105	活動刀座 Upper Movable Knife Base -----	1
6	8MM05321209A	螺絲 Screw (FT0524 M5-0.8*12)-----	2
7	4STB040107	活動刀 Upper Movable Knife -----	1
8	4STB040108	滑道 Slide Block -----	1
9	4STB040109	滑道 Knife Guide -----	1
10	4STB040110	簧片 Thread Clamp Spring-----	1
11	8MM05321609A	螺絲 Screw (RP10111 M5-0.8*16)-----	1
12	4STC040112	磁力線圈座 Solenoid Bracket -----	1
13	4STB040113	簧片 Knife Pressure Spring -----	1
14	4STB040114	固定刀片 Fixed Knife -----	1
15	4STB040115	曲軸 Lever -----	1
16	8MN03200500A	螺絲 Screw (RP10331 M3-0.5*5)-----	1
17	4STB040117	曲軸 Lever -----	1
18	2200000908	墊圈 Washer -----	2
19	8MC04280807A	螺絲 Screw (CT0120 M4-0.7*8)-----	2
20	4STC0201201	磁力線圈 Solenoid -----	1
21	4STC000121	減震墊 Rubber Cushion -----	1
22	8MB03200606K	螺絲 Screw (CT1207 M3-0.5*6)-----	2
23	4STB040123	支架 Bracket Holder -----	1
24	4STB040124	支架 Bracket Holder -----	1
25	2100000223	墊圈 Washer -----	4
26	8MM04282207A	螺絲 Screw (MN210110 M4-0.7*22)-----	2
27	4STB020127	定位塊 Knock Block -----	1
28	8MM04280807A	螺絲 Screw (MT0124 M4-0.7*8) -----	1
29	8MB04280508A	螺絲 Screw (UTB20127 M4-0.7*5.5)-----	1
30	4STC02A0130	磁力線圈組 Solenoid Asm. -----	1
31	4STB040131	隔環 Spacer -----	2
32	8MB03201006A	螺絲 Screw (CT1204 M3-0.5*10) -----	2
33	90DW040	碟形墊圈 Disk Washer -----	3
34	8MA04280207A	螺帽 Nut (STC020102 M4-0.7*2.5)-----	4

STC04 : 用於 CTU9011 / CTU9711 / CXU2000 / FTU7000 機型

# 9. WPC03 吹氣式撥線裝置 WPC03 Air-Wipe Components



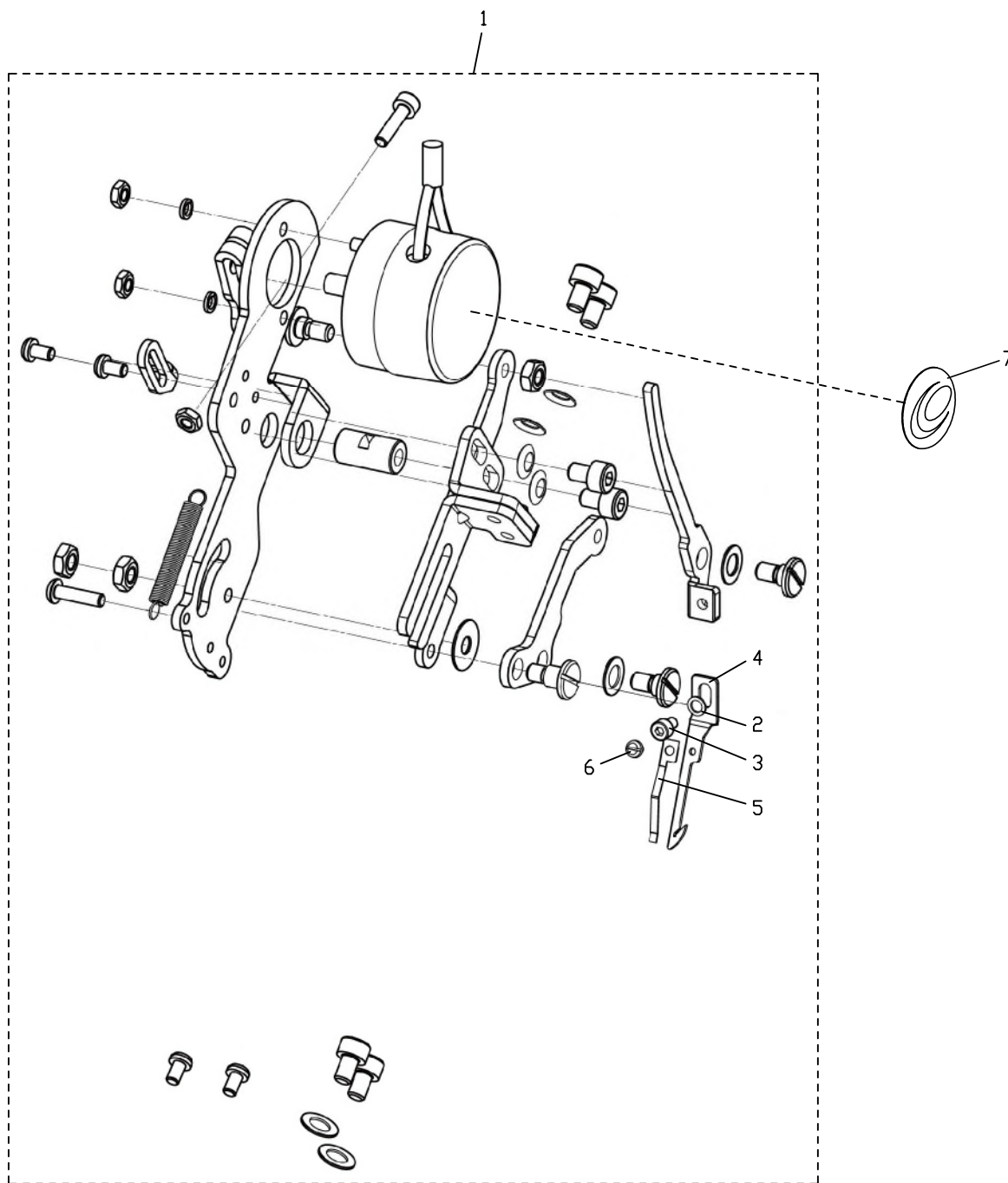


## 9. WPC03 吹氣式撥線裝置 WPC03 Air-Wipe Components

序號 Ref. No.	物料編號 Parts No.	名稱 Description	單位用量 Amt.Req.
1	4WPC000101	T 型管接頭 T Connector -----	1
2	4WPC000102	空氣管 Air Tube -----	2
3	4WPC000103	接頭 Controller -----	1
4	4WPC030104	支持臂 Holder Arm -----	1
5	4WPC030105	支架 Holder Bracket -----	1
6	4WPC03A0106	支架組 Bracket Holder Asm. -----	1
7	4WPC030107	吹氣管 Blow Tube -----	1
8	4STB020127	定位塊 Knock Block -----	1
9	90DW040	盂型墊圈 Dick Washer -----	4
10	4STB040123	支架 Bracket Holder -----	1
11	4STB040131	隔環 Spacer -----	2
12	8MB03200606K	螺絲 Screw (CT1207 M3-0.5*6) -----	2
13	4WPC0001131	支架 Holder Bracket -----	1
14	4WPC000114	節流閥 Speed Controller -----	1
15	8MC03201306D	螺絲 Screw (WPC0115 M3-0.5*12.5) -----	2
16	8MB04280508A	螺絲 Screw (UTB20127 M4-0.7*5.5)-----	1
17	8MB04280807K	螺絲 Screw (CT0215 M4-0.7*8)-----	2
18	8MM04282207A	螺絲 Screw (MN210110 M4-0.7*22)-----	2
19	90DW030	碟形墊圈 Disk Washer -----	2
20	4STB04A0102	支架組 Bracket Holder Asm. -----	1
21	2100000223	墊圈 Washer -----	4
22	8MC04281207D	螺絲 Screw (CT0102 M4-0.7*12)-----	2

WPC03 : 用於 CTU9011 / CTU9711 / CXU2000 / FTU7000 機型

# 10. WPG02 電控式撥線裝置 WPG02 Thread-Wipe Components



## 10. WPG02 電控式撥線裝置 WPG02 Thread-Wipe Components

序號 Ref.No.	物料編號 Parts No.	名稱 Description	單位用量 Amt. Req.
1	4WPG02A0101	電控撥線裝置 Thread-Wipe Components -----	1
2	4WPG020102	墊圈 Washer -----	1
3	4WPG020103	螺絲 Screw -----	1
4	4WPG020104	抓線鉤 Hook -----	1
5	4WPG020105	夾簧 Latch Spring -----	1
6	4WPG020106	螺絲 Screw -----	1
7	66480-18	銘板 Plate -----	1

註：用於 CTU9000 / CTU9711 / CXU2000 / CTU9100